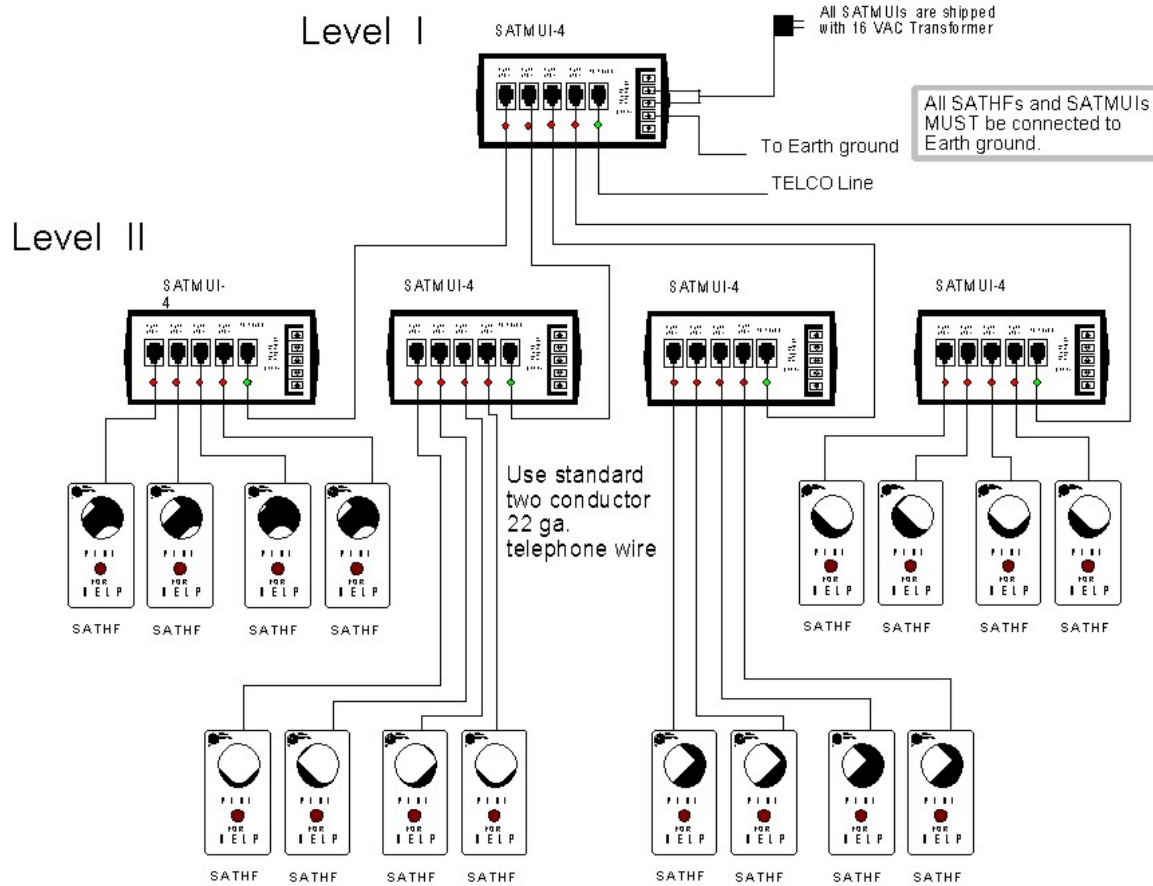


# SATHF / SATMUI CONFIGURATION GUIDE

## MAXIMUM 16 SATHFs



For detailed installation instructions, please see USER/INSTALLER MANUAL

SATMUIs may be connected to each other, allowing SATHFs in open RJ11 jacks.

SATMUIs may not be configured beyond two levels.